

## Automatic soap dispenser EXTREME WS

### Description

Design wall mounted touch-free soap dispenser with concealed sensor integrated into the spout, for non proprietary soap. Delivers a soap dose simply by approaching the hand and protects the users against cross contamination.

Cost effective solution, drastically reduces soap costs, dispenses the exact amount of soap needed for a perfect hand washing. Easy to install and to refill.

Combined with EXTREME WS touch free electronic faucet, it creates a germ free and automated environment for heavy traffic locations.



### Technical characteristics


- Infrared sensor.
- Accurate soap dosage.
- Shut off automatically without dripping.
- Highly durable brass body, chromed finish.
- Panel mounted or recessed installation.
- 1 liter soap bottle and bottle support (6L optional).
- Works with peristaltic pump allowing usage of all types of liquid soap, detergent, lotion or antibacterial gel. Viscosity 100 - 3800 cPs.
- Supplied with 230/12V transformer or battery box for 6 x D alkaline batteries (not included).
- Sensor includes a low battery indicator.
- Soap dosage 0.7 to 0.9 cc depending on viscosity.
- Remote control RES-38 as an option for soap dosage, initiating soap after refill, temporary off.
- CE. 2 year warranty.

### Ordering information

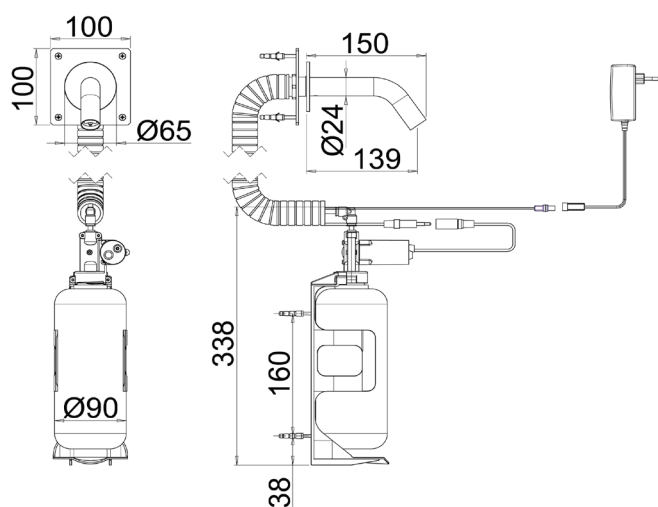
Automatic soap dispenser EXTREME WS

- RES-641 12V transformer
- RES-641P 12V battery
- RES-642 recessed 12V transformer
- RES-642P recessed 12V battery

### Options :

- Remote control RES-38 
- Matt black, matt gold finish (contact us)
- Brushed AISI 316 stainless steel body
- Transformer to supply up to 10 soap dispensers
- Integrated on washbasin wall support frame
- Multifeed installation: 6L tank to supply from 1 to 6 dispensers
- Matching EXTREME WS faucet design

RES-642 recessed version, transformer



RES-641 panel mounted version, transformer

